

## WPET-236ACN(BT)

802.11ac/a/b/g/n 2T2R

Wi-Fi + Bluetooth 4.2

Half Mini PCIe Module



### Support Multiple Drivers (Android/ Windows/ Linux)

SparkLAN WPET-236ACN(BT) is a highly integrated 802.11a/b/g/n/ac 2T2R and BT 2.1/3.0/4.1/4.2 module that support 2-stream 802.11ac Multi-user MIMO. The download speed are 300Mbps on N networks and 867Mbps on AC network. WPET-236ACN(BT) integrates the Bluetooth transmission technology for voice and data transfers between devices in a short distance. **It supports Multiple drivers (Android/ Windows/ Linux)** for various application.

It combines a WLAN MAC, a 2T2R capable WLAN baseband, BT Protocol Stack (LM, LL, and LE), BT Baseband, modem. It provides a complete solution for a high throughput performance integrated wireless LAN and Bluetooth device. It is designed to provide excellent performance with low power consumption and enhance the advantages of robust system and cost-effective. It is targeted at competitive superior performance, better power management applications.

#### Embedded Application

A Applications include Tablet/ Notebook/ TV board/ Advertising machine/ OTT/ IPTV/ DVB/ STB / DV/ IPC/ Mini Driving Recorder/ Doorbell / Smart TV/ Intelligent Projector Pico/ VR/ AR terminal/ Wireless storage/ Printer/ POS machine/ Vehicle mounted front/ Rear Terminal UAV/ Robot thin client devices, and many more.

#### Key Feature

- Support 802.11ac 2x2, compliant with MU-MIMO. Operates in 2.4GHz and 5GHz frequency bands
- Data rates: 173.3Mbps using 20MHz bandwidth, 400Mbps using 40MHz bandwidth, and 866.7Mbps using 80MHz bandwidth.
- BPSK, QPSK, 16 QAM, 64 QAM, 256QAM modulation schemes
- Security support for WPE/WPA/WPA2

**Specification**

<b>Standards</b>	IEEE 802.11ac/a/b/g/n (2T2R) Bluetooth v2.1+EDR, v3.0, v4.1, v4.2 LE
<b>Chipset</b>	Realtek RTL8822BU-CG
<b>Data Rate</b>	802.11b: 11Mbps / 802.11a/g: 54Mbps / 802.11n: MCS0~7/ 802.11ac: MCS0~9 Bluetooth: 1Mbps, 2Mbps and up to 3Mbps EDR
<b>Operating Frequency</b>	IEEE 802.11 ac/a/b/g/n ISM Band, 2.412GHz~2.484GHz, 5.150GHz~5.850GHz *Subject to local regulations
<b>Interface</b>	USB
<b>Form Factor</b>	Half Mini PCie
<b>Antenna</b>	2xIPEX connector(Ant 0 for wifi only, Ant 1 for wifi+BT )
<b>Modulation</b>	802.11b: DSSS (DBPSK, DQPSK, CCK) 802.11a/g: OFDM (BPSK, QPSK, 16-QAM, 64-QAM) 802.11n: OFDM (BPSK, QPSK, 16-QAM, 64-QAM) 802.11ac: OFDM (BPSK, QPSK, 16-QAM, 64-QAM, 256-QAM)
<b>Power Consumption</b>	TX Mode: 600mA RX Mode: 350mA
<b>Operating Voltage</b>	DC 3.3V
<b>Operating Temperature Range</b>	-20°C ~ +70°C
<b>Storage Temperature Range</b>	-40°C ~ +80°C
<b>Humidity (Non-Condensing)</b>	5%~95% (Operating) 5%~90% (Storing)
<b>Dimension (in mm)</b>	30.02 x 26.89 x 4.3 mm
<b>Weight (g)</b>	4.6g
<b>Driver Support</b>	Windows 7, 8.1, 10 / Linux / Android
<b>Security</b>	WEP ,WPA,WPA2

OUTPUT POWER & SENSITIVITY		
----------------------------	--	--

802.11b		
Data Rate	Tx ± 2dBm	Rx Sensitivity
11Mbps	15dBm	≤-80dBm

802.11g		
Data Rate	Tx ± 2dBm	Rx Sensitivity
54Mbps	14dBm	≤-70dBm

802.11n / 2.4GHz				
HT20	Data Rate	Tx ± 2dBm(1TX)	Tx ± 2dBm(2TX)	Rx Sensitivity
	MCS7	13dBm	16dBm	≤-61dBm
HT40	MCS7	13dBm	16dBm	≤-61dBm

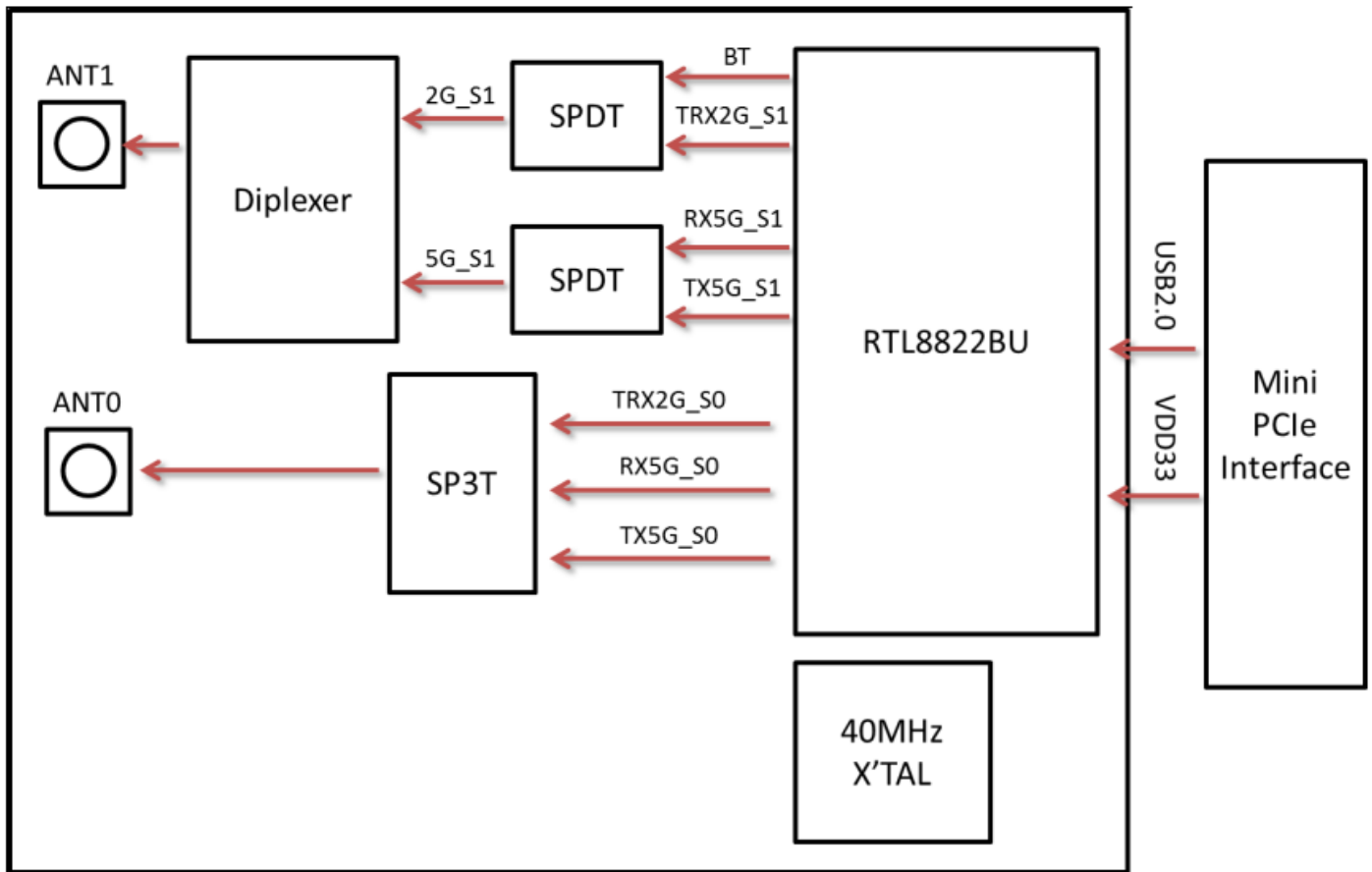
802.11a		
Data Rate	Tx ± 2dBm	Rx Sensitivity
54Mbps	13dBm	≤-70dBm

802.11n / 5GHz				
HT20	Data Rate	Tx ± 2dBm(1TX)	Tx ± 2dBm(2TX)	Rx Sensitivity
	MCS7	12dBm	15dBm	≤-60dBm
HT40	MCS7	12dBm	15dBm	≤-60dBm

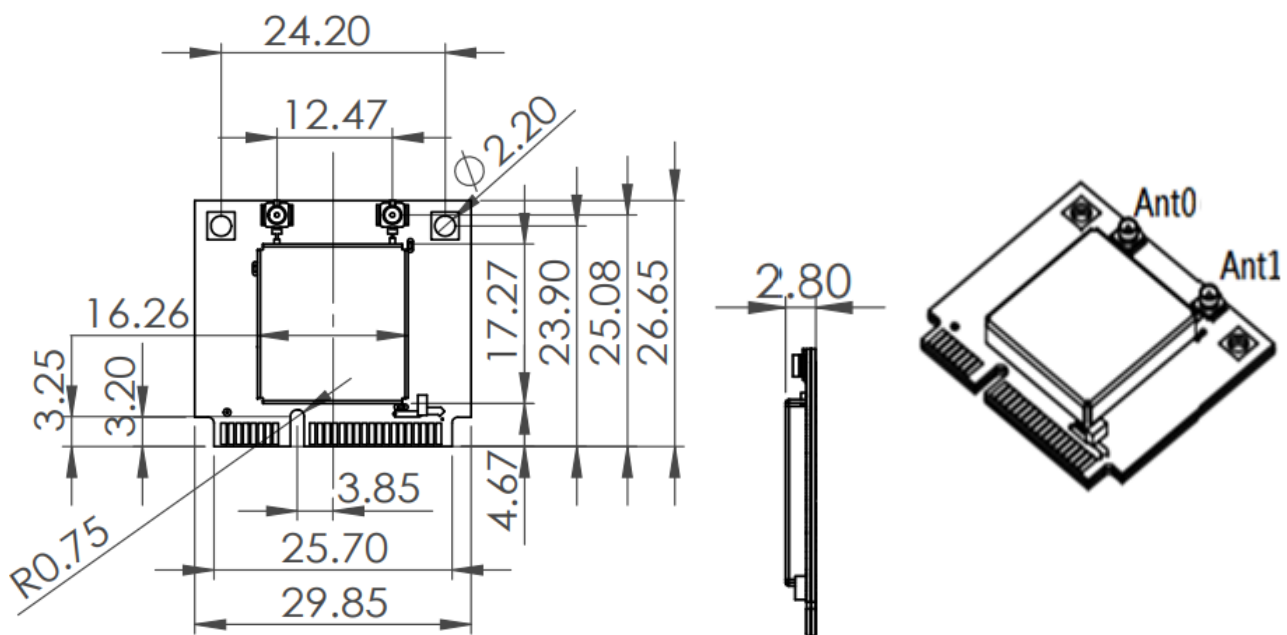
802.11ac				
VHT80	Data Rate	Tx ± 2dBm(1TX)	Tx ± 2dBm(2TX)	Rx Sensitivity
	MCS9	9dBm	12dBm	≤-51dBm

Bluetooth		
Data Rate	Tx ± 2dBm (Class 2 Device)	Rx Sensitivity
3Mbps	0 ≤ Output Power ≤ +4 dBm	<0.1% BER at -70dBm

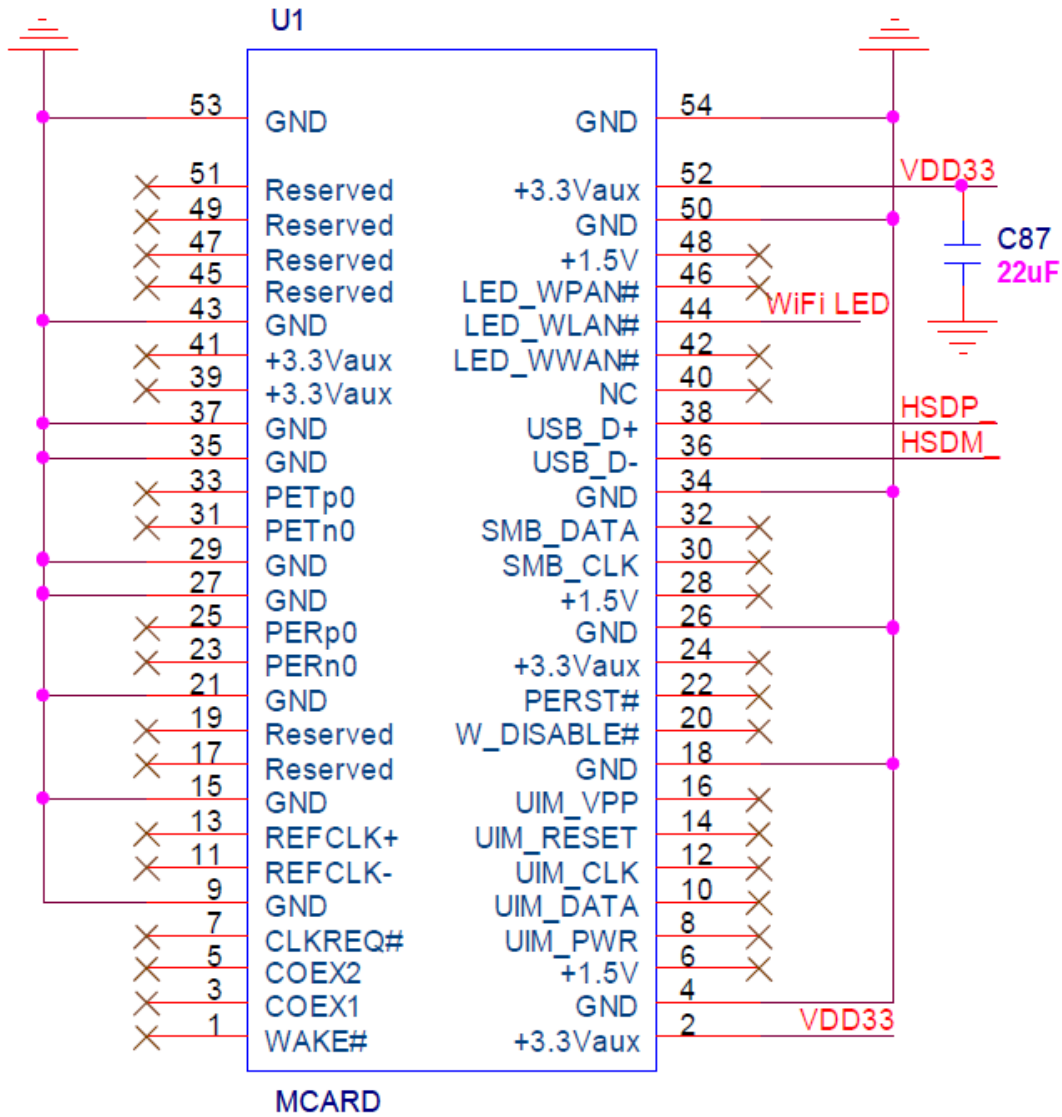
**Block Diagram**



**Mechanical Dimension (mm)**



**Pin Assignment**



## Pin Assignment

PIN#	Pin Name	Design Status	PIN#	Pin Name	Design Status
1	WAKE_L	NC	2	+3.3Vaux	YES
3	Reserved	NC	4	GND	YES
5	Reserved	NC	6	+1.5V	NC
7	CLKREQ_L	NC	8	UIM_PWR	NC
9	GND	YES	10	UIM_DATA	NC
11	REFCLK-	NC	12	UIM_CLK	NC
13	REFCLK+	NC	14	UIM_RESET	NC
15	GND	YES	16	UIM_VPP	NC
17	Reserved	NC	18	GND	YES
19	Reserved	NC	20	W_DISABLE_L	NC
21	GND	YES	22	PERST_L	NC
23	PERu0	NC	24	+3.3V	NC
25	PERp0	NC	26	GND	YES
27	GND	YES	28	+1.5V	NC
29	GND	YES	30	SMB_CLK	NC
31	PETn0	NC	32	SMB_DATA	NC
33	PETp0	NC	34	GND	YES
35	GND	YES	36	USB_D-	YES
37	RESERVED	NC	38	USB_D+	YES
39	RESERVED	NC	40	GND	NC
41	RESERVED	NC	42	LED_WWAN_L	NC
43	GND	YES	44	LED_WLAN_L	NC
45	RESERVED	NC	46	LED_WPAN_L	NC
47	RESERVED	NC	48	+1.5V	NC
49	RESERVED	NC	50	GND	YES
51	RESERVED	NC	52	+3.3V	YES

## Certification

- FCC
- IC
- NCC
- CE (RED EN 300 328 V2.1.1 / EN 301 893 V2.1.1)
- MIC
- ASNZS

## Ordering Information

Product Name	Part Number	Description
WPET-236ACN(BT)	R9701890019	802.11ac/a/b/g/n 2T2R Wi-Fi + BT 4.2 Half Mini PCIe Module

## Optional Accessory

Product Name	Part Number	Description
AD-103AG	R3410110203	Dipole Antenna, 2dBi 2.4GHz/5GHz, RP-SMA(M) connector
AD-302N	R3410110221	Dipole Antenna, 3dBi/2dBi 2.4G/5GHz, RP-SMA(M) connector
AD-303N	R3410110222	Dipole Antenna, 3dBi/3dBi 2.4G/5GHz, RP-SMA(M) connector
AD-305N	R3410110223	Dipole Antenna, 5dBi/5dBi 2.4G/5GHz, RP-SMA(M) connector
CBIRF-M150	R3470300004	I-PEX/MHF1 to RP-SMA Female; L:150mm; Coaxial 1.37 Black